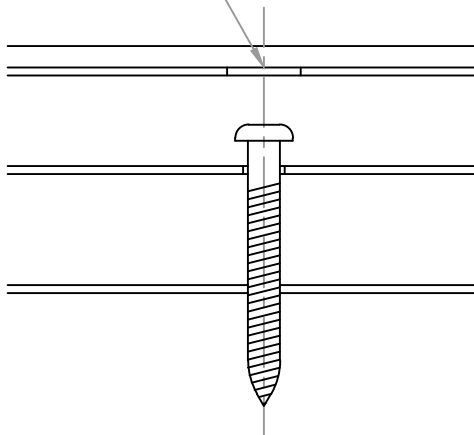
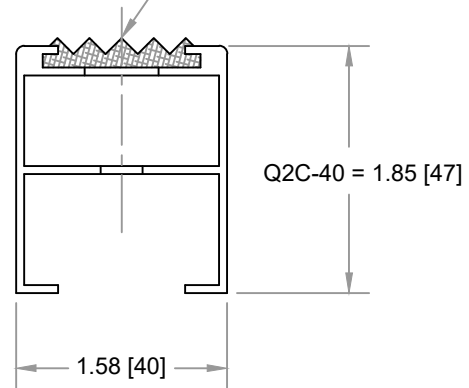


Clearance Holes
For Anchor Screws



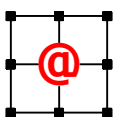
Rubber Strip
With Raised Ribs



EXTRUDED ALUMINUM

NOTE: Cut-Sheet drawing and specifications are subject to change without prior notice.

Quick2Connect
Q2C-40
LOW-PROFILE SYSTEM
THRESHOLD DETAIL



ASM Modular System Inc.®

9500 Industrial Center Dr.
Ladson, SC, 29456

Tel: 843-534-1110
Fax: 843-534-1111

www.asmproducts.com